



2018-V1.0-0920

Specifications

Constant Current LED Power Supplies

LFEU-35C Series, 35W

PAIRUI ELECTRONICS

No. 545 Museum Road
Yangzhou, Jiangsu
China 225009

Tel: 86 (514) 8279 1592

Fax: 86 (514) 8769 3159

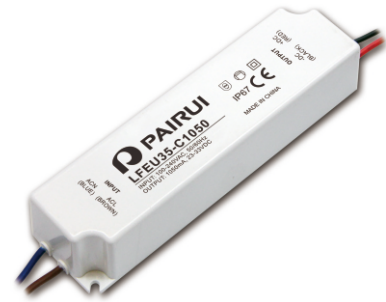
2018

LED Power Supplies for Outdoor Use

LFEU-35C SERIES, 35WATT, IP67 RATING

Features

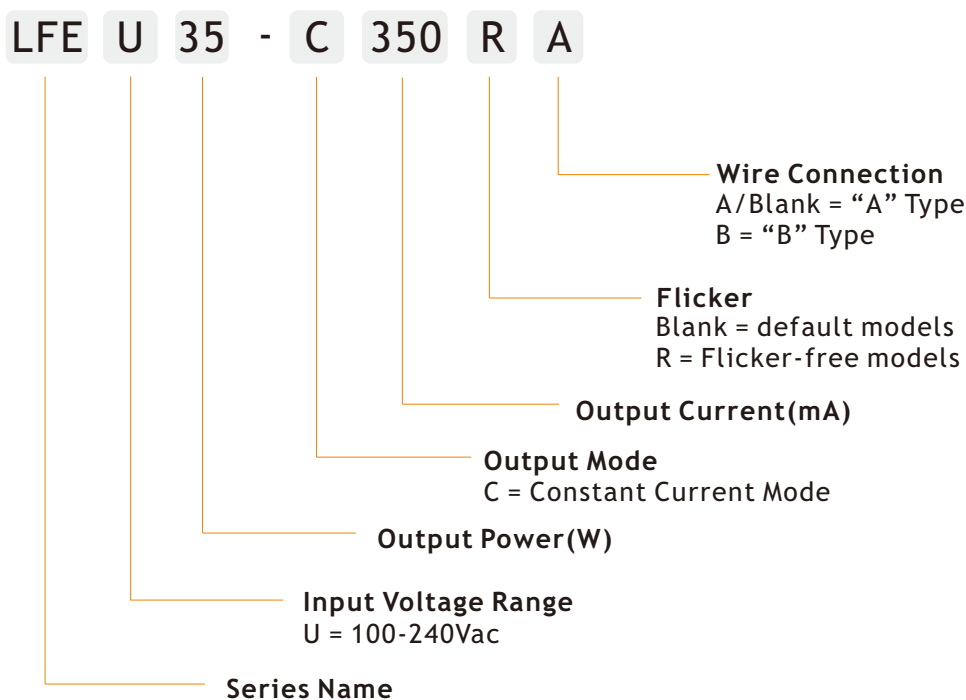
- 3 Year Warranty
- Universal Input Voltage Range: 100~240Vac
- Constant Current Output Mode
- Waterproof Rating IP67
- Built-in Active Power Factor Correction
- Class II Power, no FG
- All Round Protections: Short Circuit, Over Voltage, Over Current



Applications

- ✓ Garden Light
- ✓ Landscape Light
- ✓ Stage Light
- ✓ Cabinet Light
- ✓ Other Indoor and Outdoor used Lights

Electrical



Electrical

Part Number	Nominal Input Voltage	Output Current Output Voltage	No Load Output Voltage	Ripple	Efficiency	Certificate
LFEU35-C350 LFEU35-C350R	100-240VAC	350mA(70-100V)	110V	175mA 35mA	89% 87%	CE
LFEU35-C500 LFEU35-C500R	100-240VAC	500mA(49-70V)	77V	250mA 50mA	88% 86%	CE
LFEU35-C700 LFEU35-C700R	100-240VAC	700mA(35-50V)	55V	350mA 70mA	88% 86%	CE
LFEU35-C800 LFEU35-C800R	100-240VAC	800mA(30-43V)	47V	400mA 80mA	87% 85%	CE
LFEU35-C900 LFEU35-C900R	100-240VAC	900mA(26-38V)	42V	450mA 90mA	87% 85%	CE
LFEU35-C1050	100-240VAC	1050mA(23-33V)	36V	525mA	85%	CE

- NOTE:1. Other output models are may available on request;
 2. Above models are suitable for indoor or outdoor environment without direct sunlight exposure, avoid immerse in the water for more than 30 minutes;
 3. Add suffix "A" for "A" type wire connection, add suffix "B" for "B" type wire connection, blank will default to "A" type wire connection.

INPUT

PARAMETER	CONDITIONS	MIN	TYP	MAX	UNITS
Input frequency		47		63	Hz
Input current	Full load, Vin=230Vac		0.2		A
Inrush current	Cold start, Vin=230Vac			50	A
Power factor(PF)	Full load, Vin=230Vac		0.95		
Surge voltage	L-N		2		KV

OUTPUT

PARAMETER	CONDITIONS	MIN	TYP	MAX	UNITS
Output current accuracy			5		%
Line regulation	Vin from 100Vac to 240Vac		3		%
Load regulation	Vout from min. to max.		3		%
Output current overshoot	Turning on			10	%
Turn-on delay time	Cold start, power on		1000		ms
Ripple	Please refer to below measuring method		page 2		mAp-p
THD	Output load≥60%			20	%

NOTE: The values are measured at 20MHz of bandwidth by using a 12" twisted pair-wire terminated with 0.1uF & 47uF parallel capacitor under ambient temperature 25°C at rated input voltage and rated load.

Protection

Short circuit	In hiccup mode, it will recover automatically after fault condition is removed
Over voltage	110-150% Vout, it will recover automatically after fault condition is removed
Over current	In hiccup mode, it will recover automatically after fault condition is removed

Environment

PARAMETER	CONDITIONS	MIN	TYP	MAX	UNITS
Ambient operating temperature	Startup at rated voltage (Derating required)	-25		+50	°C
Operating relative humidity	Non condensing	20		90	%
Storage temperature	Humidity 10 ~ 95% RH	-40		+80	°C
Maximum case temperature	Hot-spot on case			+75	°C
MTBF	Full load, 220Vac input, 25°C ambient temperature	221			Khrs
Waterproof rating	IP67				
Dimension(LxWxH)	148.0 x 40.0 x 32.0mm				
Weight	340g				

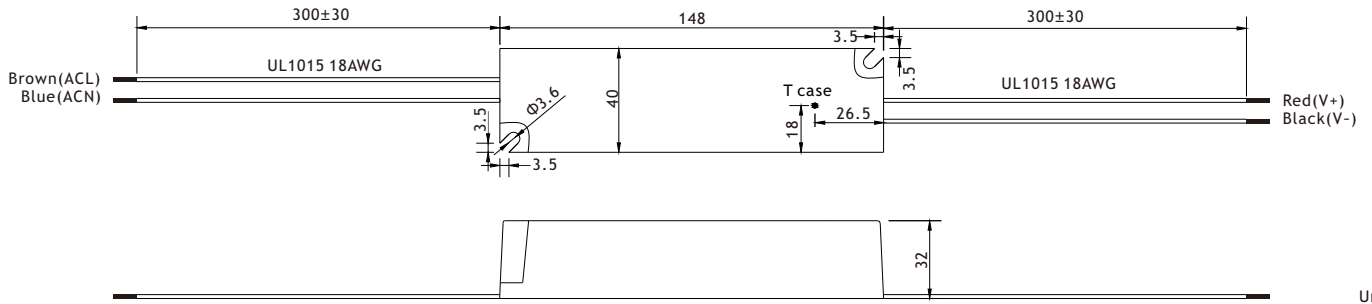
Safety/EMC

Safety	Design refer to UL8750, EN61347, EN61347-2-13
EMC	Compliance to EN55015, FCC Part 15 Class B, EN61000-3-2, EN61000-3-3, EN61000-4-2, 3, 4, 6, 8, 11, EN61547

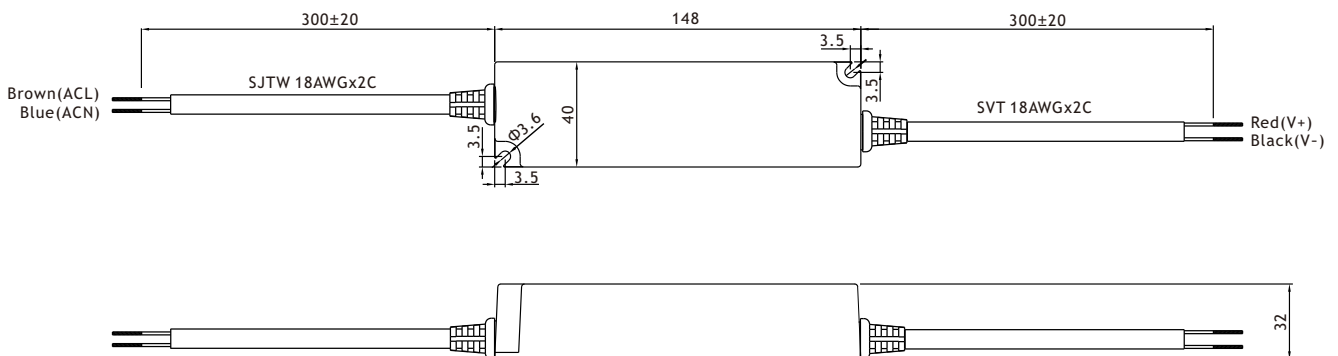
NOTE: Unless otherwise specified, all the above parameters are measured at ambient temperature of 25°C and Vin=100Vac to 240Vac.

Mechanical

“A” type(default type)



“B” type



Electrical Curve

