



2018-V1.0-0920

# Specifications

---

**Constant Current LED Power Supplies**

**LFEU-60C Series, 60W**

**PAIRUI ELECTRONICS**

No. 545 Museum Road  
Yangzhou, Jiangsu  
China 225009

Tel: 86 (514) 8279 1592

Fax: 86 (514) 8769 3159

**2018**

# LED Power Supplies for Outdoor Use

## LFEU-60C SERIES, 60WATT, IP67 RATING

### Features

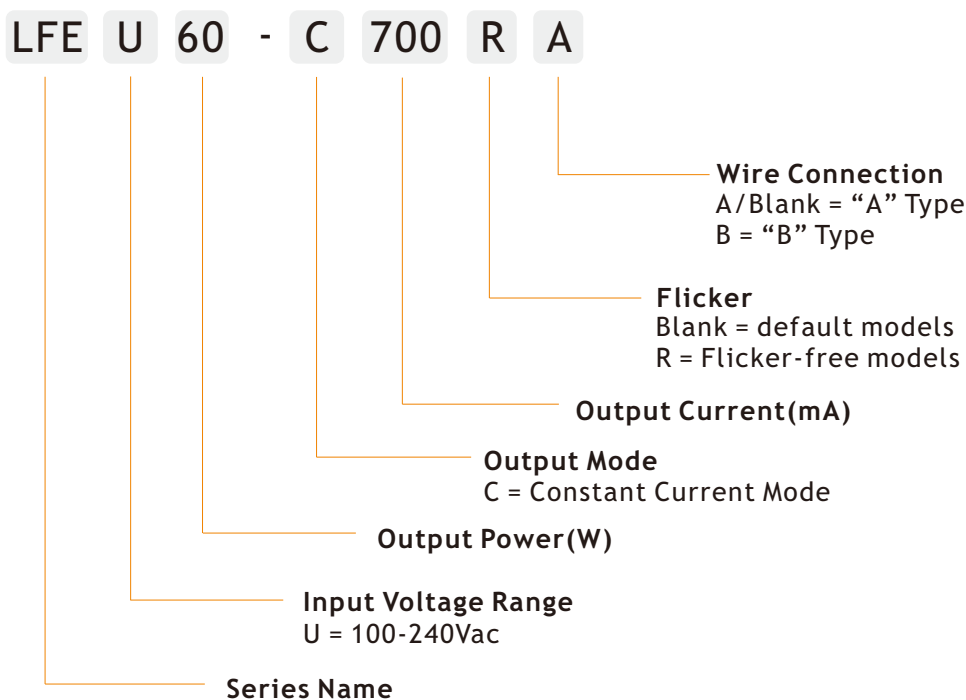
- 3 Year Warranty
- Universal Input Voltage Range: 100~240Vac
- Constant Current Output Mode
- Waterproof Rating IP67
- Built-in Active Power Factor Correction
- Class II Power, no FG
- All Round Protections: Short Circuit, Over Voltage, Over Current



### Applications

- ✓ Garden Light
- ✓ Cabinet Light
- ✓ Landscape Light
- ✓ Other Indoor and Outdoor used Lights
- ✓ Stage Light

### Electrical



## Electrical

Part Number	Nominal Input Voltage	Output Current Output Voltage	No Load Output Voltage	Ripple	Efficiency	Certificate
LFEU60-C700 LFEU60-C700R	100-240VAC	700mA(60-86V)	95V	350mA 70mA	90% 88%	CE
LFEU60-C1050 LFEU60-C1050R	100-240VAC	1050mA(40-57V)	63V	525mA 105mA	89% 87%	CE
LFEU60-C1400	100-240VAC	1400mA(30-43V)	47V	700mA	87%	CE
LFEU60-C1500	100-240VAC	1500mA(28-40V)	44V	750mA	87%	CE
LFEU60-C1750	100-240VAC	1750mA(24-34V)	37V	875mA	87%	CE
LFEU60-C2100	100-240VAC	2100mA(20-29V)	32V	1050mA	87%	CE
LFEU60-C2800	100-240VAC	2800mA(14-21V)	23V	1400mA	86%	CE

NOTE:1. Other output models are may available on request;  
 2. Above models are suitable for indoor or outdoor environment without direct sunlight exposure, avoid immerse in the water for more than 30 minutes;  
 3. Add suffix "A" for "A" type wire connection, add suffix "B" for "B" type wire connection, blank will default to "A" type wire connection.

**INPUT**

PARAMETER	CONDITIONS	MIN	TYP	MAX	UNITS
Input frequency		47		63	Hz
Input current	Full load, Vin=230Vac		0.4		A
Inrush current	Cold start, Vin=230Vac			50	A
Power factor(PF)	Full load, Vin=230Vac		0.95		
Surge voltage	L-N		2		KV

**OUTPUT**

PARAMETER	CONDITIONS	MIN	TYP	MAX	UNITS
Output current accuracy			5		%
Line regulation	Vin from 100Vac to 240Vac		3		%
Load regulation	Vout from min. to max.		3		%
Output current overshoot	Turning on			10	%
Turn-on delay time	Cold start, power on		1000		ms
Ripple	Please refer to below measuring method		page 2		mAp-p
THD	Output load≥60%			20	%

NOTE: The values are measured at 20MHz of bandwidth by using a 12" twisted pair-wire terminated with 0.1uF & 47uF parallel capacitor under ambient temperature 25°C at rated input voltage and rated load.

**Protection**

Short circuit	In hiccup mode, it will recover automatically after fault condition is removed
Over voltage	110-150% Vout, it will recover automatically after fault condition is removed
Over current	In hiccup mode, it will recover automatically after fault condition is removed

Environment

PARAMETER	CONDITIONS	MIN	TYP	MAX	UNITS
Ambient operating temperature	Startup at rated voltage (Derating required)	-25		+50	°C
Operating relative humidity	Non condensing	20		90	%
Storage temperature	Humidity 10 ~ 95% RH	-40		+80	°C
Maximum case temperature	Hot-spot on case			+75	°C
MTBF	Full load, 220Vac input, 25°C ambient temperature	221			Khrs
Waterproof rating	IP67				
Dimension(LxWxH)	162.5 x 42.5 x 32.0mm				
Weight	400g				

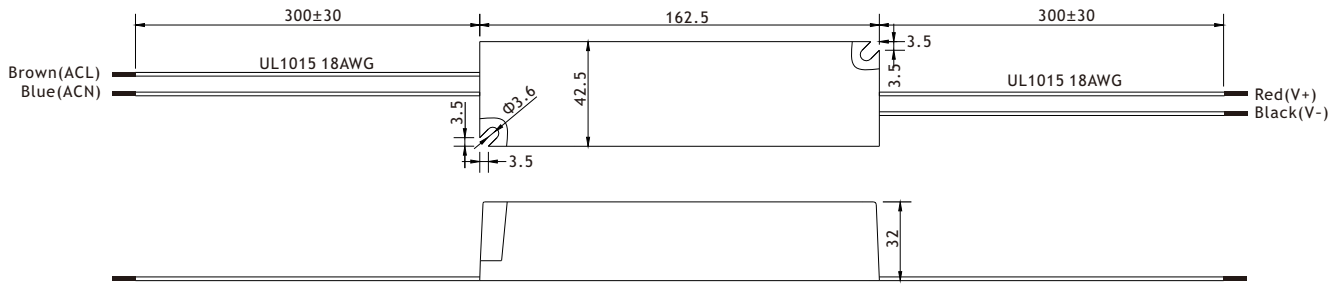
Safety/EMC

Safety	Design refer to UL8750, EN61347, EN61347-2-13
EMC	Compliance to EN55015, FCC Part 15 Class B, EN61000-3-2, EN61000-3-3, EN61000-4-2, 3, 4, 6, 8, 11, EN61547

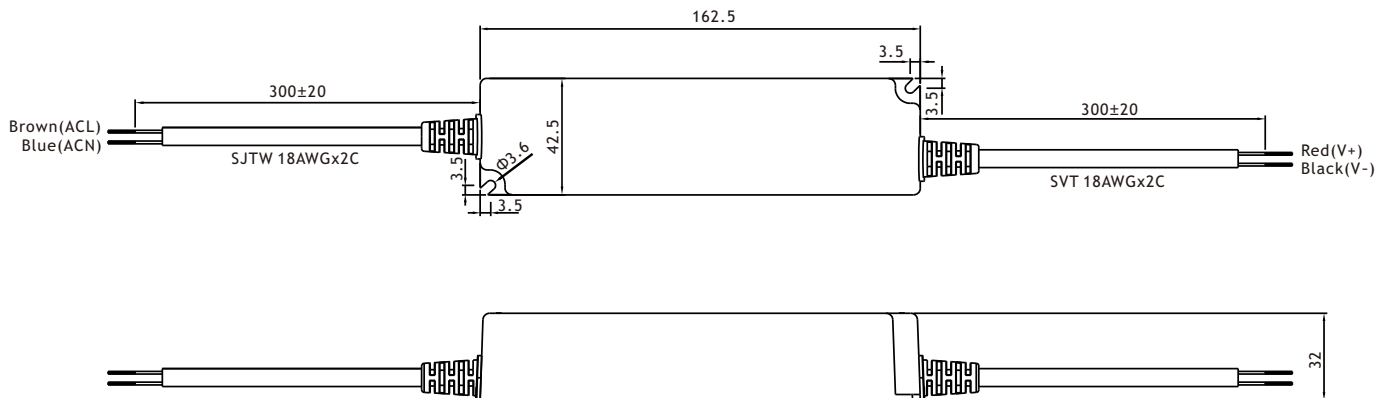
NOTE: Unless otherwise specified, all the above parameters are measured at ambient temperature of 25°C and Vin=100Vac to 240Vac.

Mechanical

“A” type(default type)



“B” type



Electrical Curve

Unit: mm

